

LANDSCAPE SPECIFICATIONS:

All sod shall conform to the standards of the Nursery Sod Growers Association of Ontario. All sodded areas shall be prepared with a minimum of 200mm of topsoil and sodded with #1 bluegrass – fescue nursery sod. On slopes, lay the turf pieces horizontally across the slope, starting at the bottom. For areas with a 2:1 slope or greater stake sod to hold in place with 1/2" x 1" x 12" pegs at two-foot spacings. Seed shall be applied at a rate of 1.5–1.7 Kg/100 square metres. All topsoil shall be in conformance with OPSS 570.

Unless soil tests suggest otherwise, fertilizer shall be applied as follows:
 Sodded areas: 11–8–4 (11% nitrogen, 8% phosphorus, 4% potash) at 4.5 kg/m².
 Planting beds: 7–7–7 (7% nitrogen, 7% phosphorus, 7% potash) at 0.12 kg/m², and bone meal at 0.58 kg/m² of planting soil mixture as outlined below.

All planting beds are to be continuous, and excavated to a minimum depth of 450mm unless noted otherwise. Planting beds are to be filled with a soil mixture composed of six (6) parts sand loam, two (2) parts well rotted manure, and one (1) part peat moss, in addition to the fertilizers specified above.

All plant material shall conform to the standards of the Canadian Nursery Trades Association. All plant material is to be clay grown stock. Install all plant material as shown on the planting plan and details. Use only viable nursery stock grown in strict accordance with proper horticultural practices which is free from damage, pests, and disease.

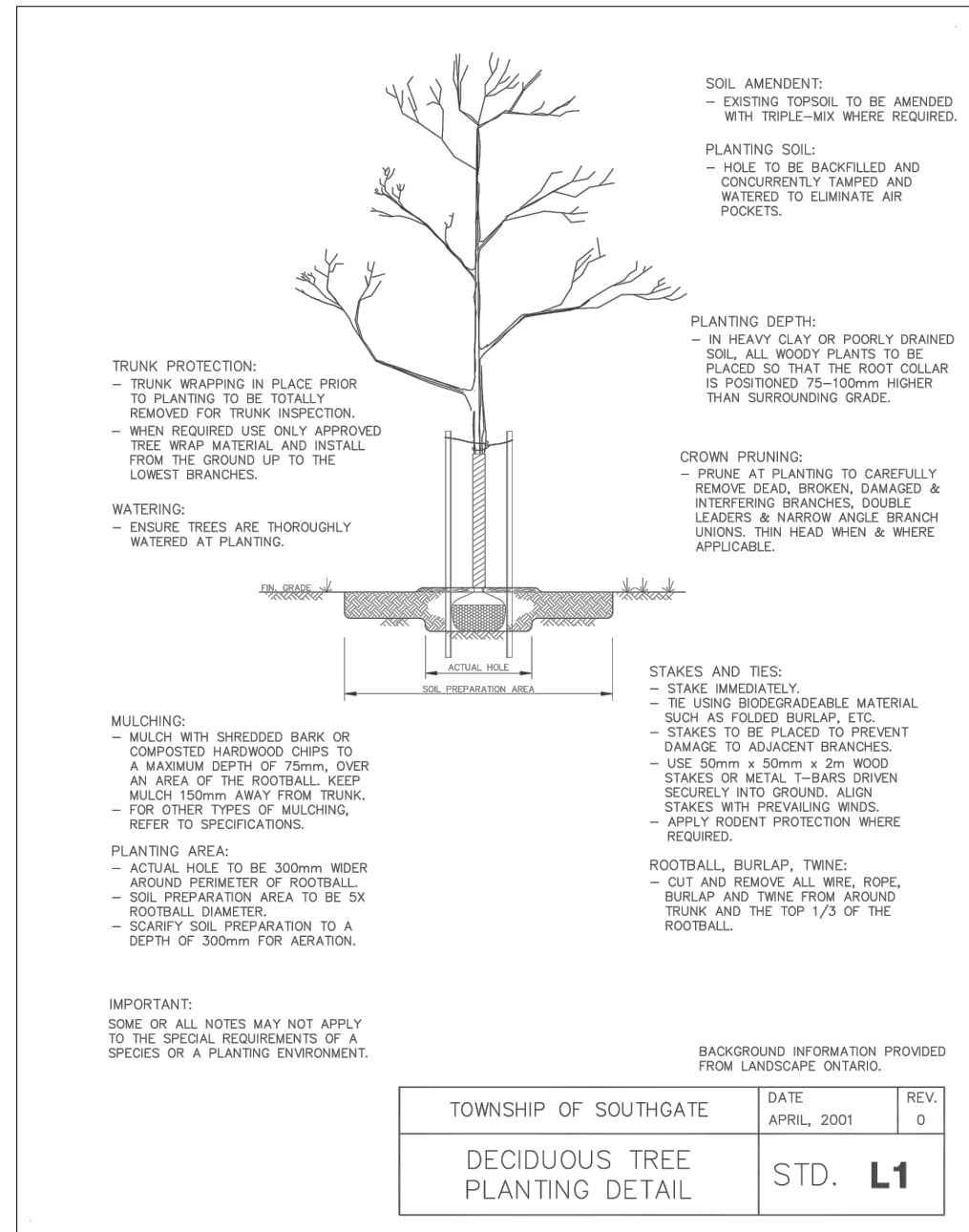
All beds are to be covered with a 75mm depth of clean, shredded pine bark mulch by Cro-Bark or approved equal unless noted otherwise. Guying and staking of trees shall conform to the planting details. Wrap all deciduous trees as per the specifications of the Ontario Landscape Contractors Association.

The contractor will observe proper maintenance procedures for all newly constructed landscape work as per Canadian Landscape Standard (First Edition) Section 12 – Establishment Maintenance. Unless otherwise noted, this will apply during the construction period only. The contractor shall maintain all planting and sodding until final acceptance is granted by the Landscape Architect.

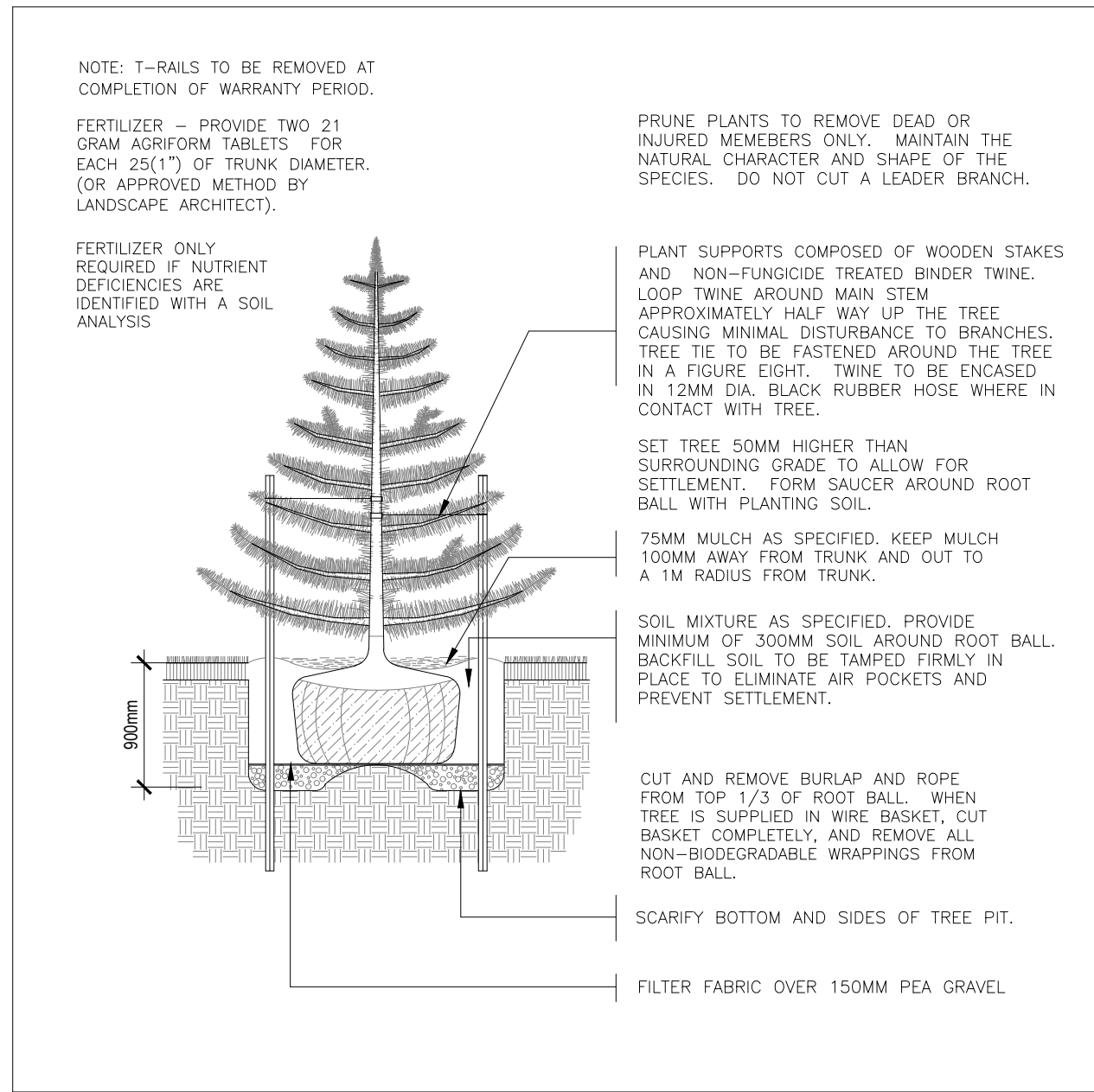
The contractor will be responsible for the protection of all plant material from damages resulting from winter conditions as well as rodents during the warranty period. Apply "Skool" rodent deterrent formula (or approved equal) to all coniferous trees and all shrubs in late October as per manufacturer's directions.

The contractor shall provide a full one year guarantee (or two years if required by the municipality or owner) on all landscape works, beginning on the date that final acceptance is granted by the Landscape Architect.

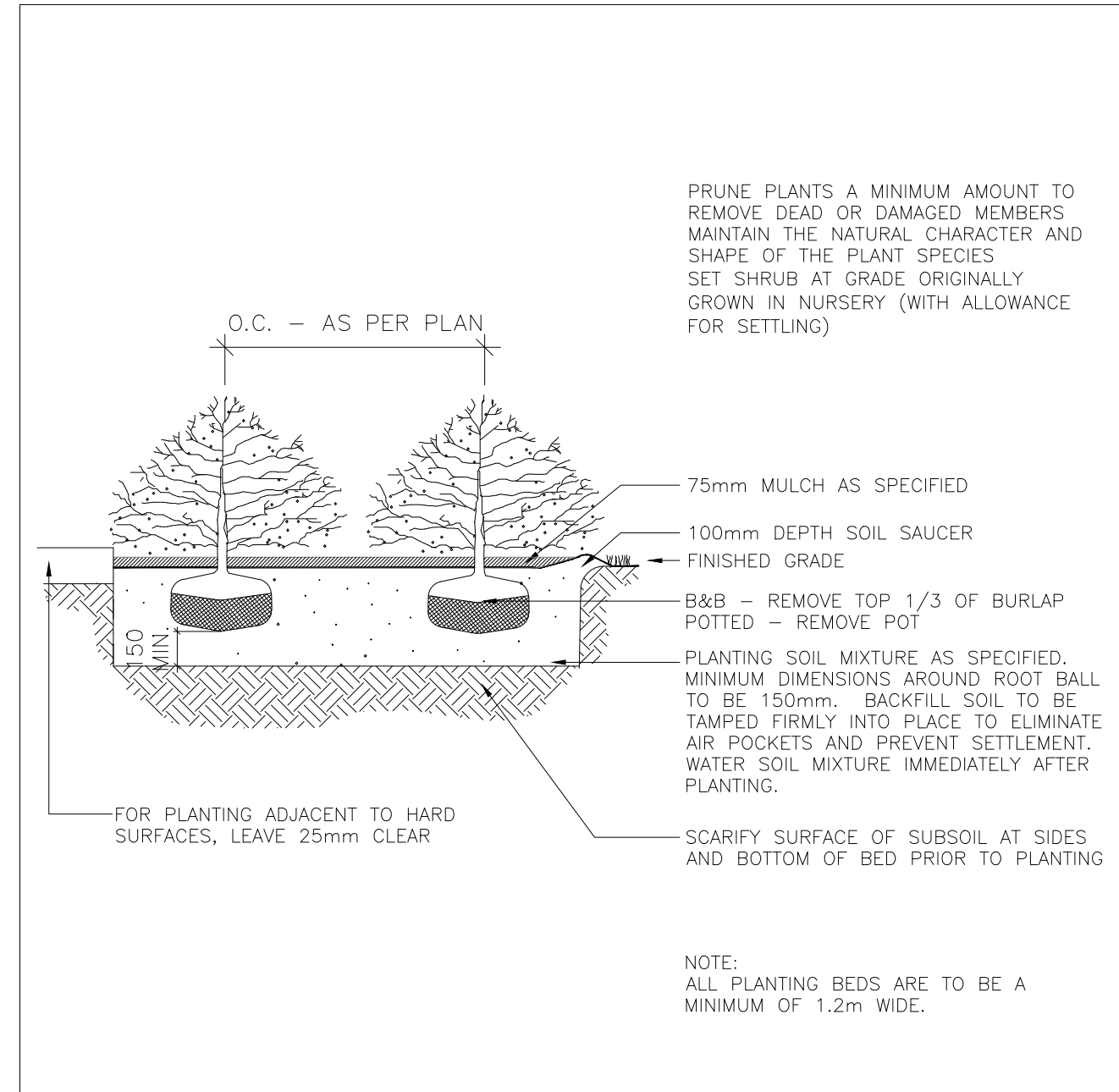
1 LANDSCAPE SPECIFICATIONS
L-2 n.t.s.



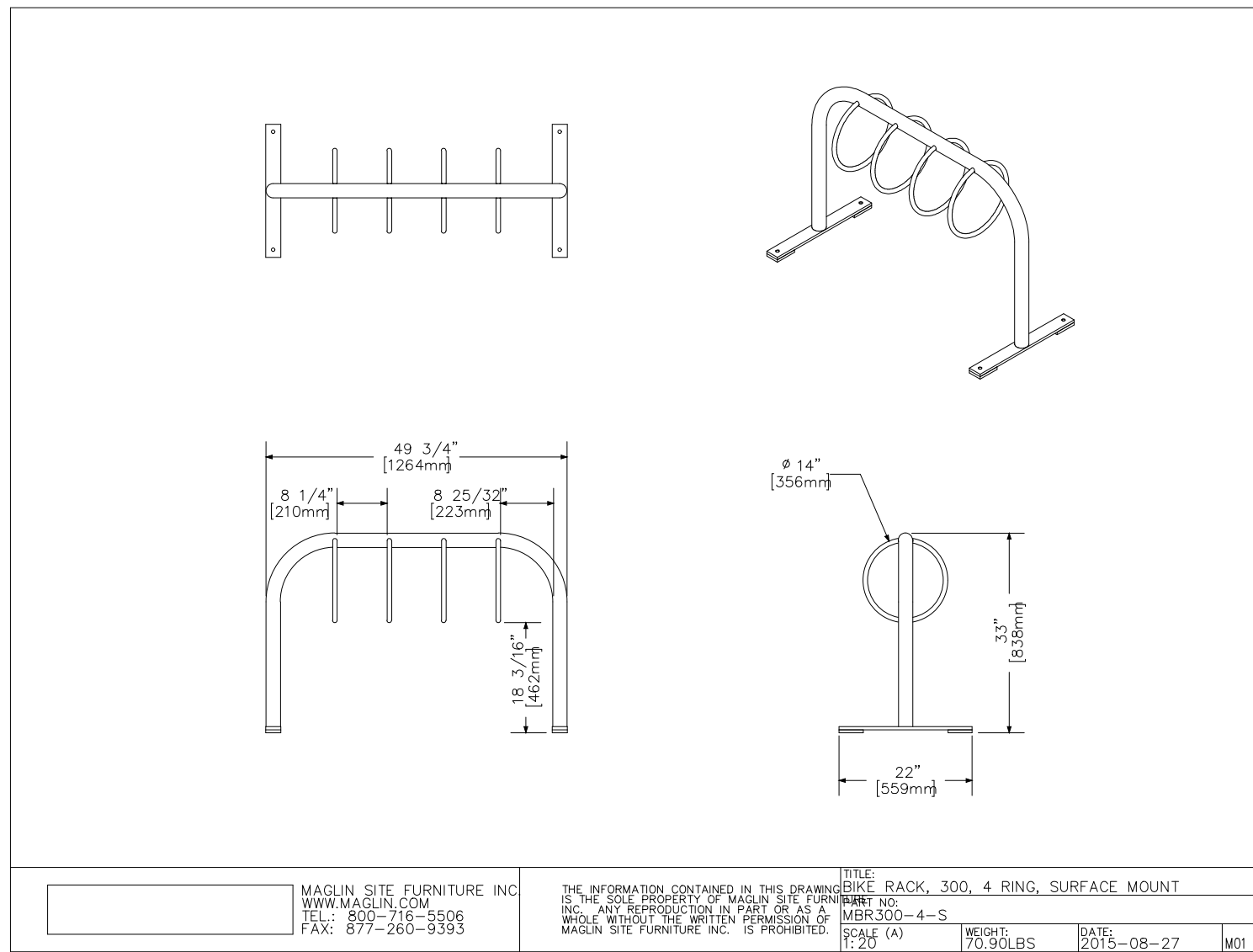
2 DECIDUOUS TREE PLANTING DETAIL
L-2 n.t.s.



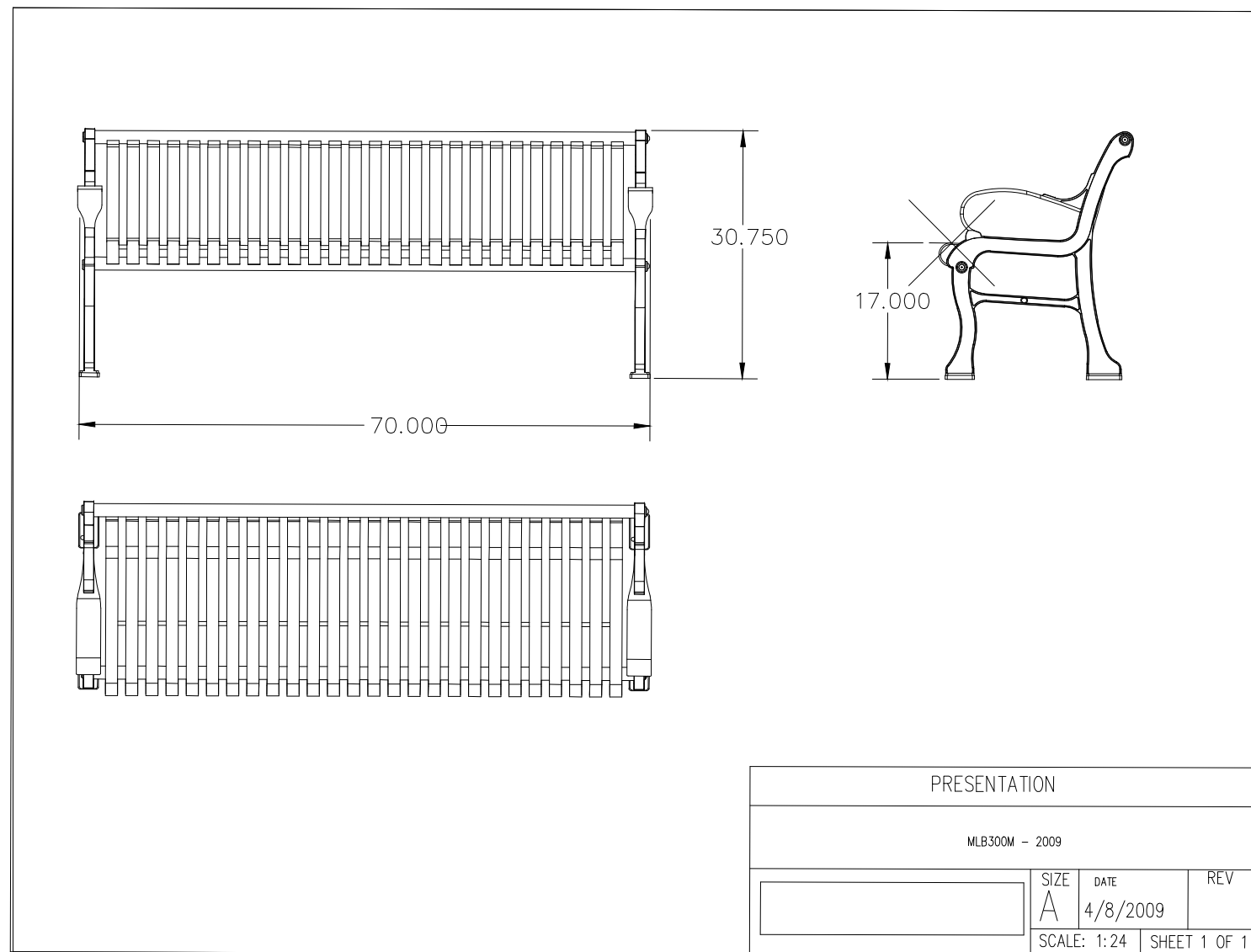
3 CONIFEROUS TREE PLANTING DETAIL
L-2 n.t.s.



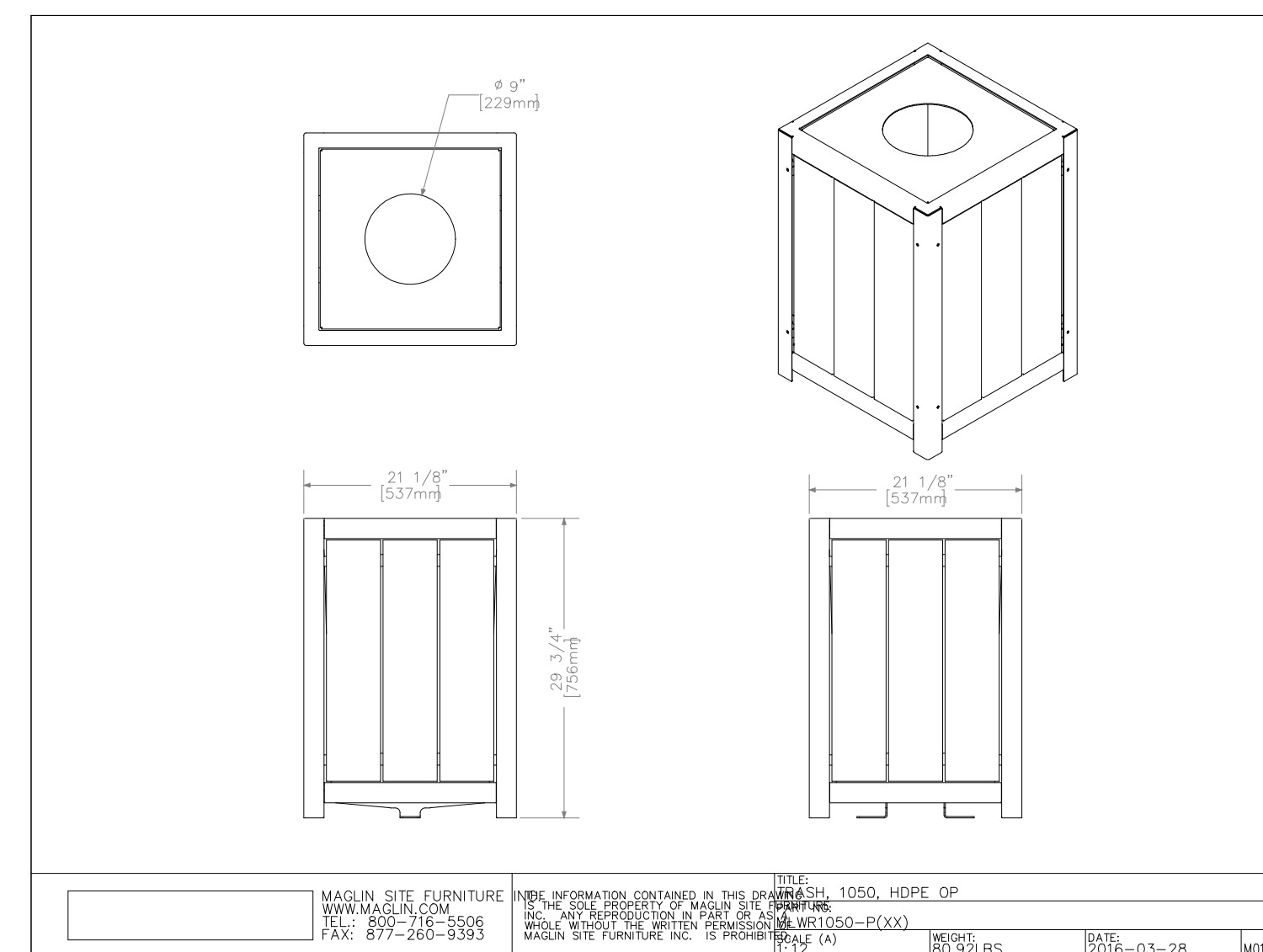
4 Shrub Planting Detail
L-2 n.t.s.



5 BIKE RACK DETAIL
L-2 n.t.s.



6 BENCH DETAIL
L-2 n.t.s.



7 GARBAGE RECEPTACLE DETAIL
L-2 n.t.s.

- General Notes**
- Do not scale the drawings. All dimensions are in millimetres unless noted otherwise.
 - This drawing is to be read in conjunction with the survey prepared by the project architect and project engineer.
 - The contractor shall check and verify all existing and proposed grading and conditions on the project and immediately report any discrepancies to the consultant before proceeding with any work.
 - The contractor is to be aware of all existing and proposed services and utilities. The contractor is responsible for having all underground services and utility lines staked by each agency having jurisdiction prior to commencing work.
 - Final location of the street trees to be determined on site by the Landscape Architect based on final locations of utilities. All boulevard deciduous trees shall have rodent protection collars installed at initial planting.
 - This drawing is to be used for development approval only. For layout of all work refer to construction drawings.
 - Do not leave any holes open overnight.
 - Keep area outside construction zone clean and useable by others at all times. Contractor shall thoroughly clean areas surrounding the construction zone at the end of each work day.
 - Contractor to make good any and all damages outside of the development area that may occur as a result of construction at no extra cost.
 - This drawing is Copyright MHBC Planning, 2020.

1	November 6, 2020	Issued for SPA	PD
Revision No.	Date	Issued / Revision	By

PLANNING URBAN DESIGN & LANDSCAPE ARCHITECTURE
MHBC PLANNING
 230-7050 WESTON ROAD
 WOODBRIDGE, ON, L4L 8G7
 P: 905.761.5588 F: 905.761.5589
 WWW.MHBCPLAN.COM

Stamp	Date	November 2020
Drawn By	PD	
Plan Scale	AS NOTED	
File No.	15184 AG	
Checked By	GC	
Other		

NOT FOR CONSTRUCTION

All drawings and specifications are instruments of service and will remain the property of MHBC Planning and must be returned at the completion of the work. This drawing shall not be used for construction purposes unless the drawings are marked "Issued for Construction" and the professional seal is signed and dated by the landscape architect.

Project

FLATO DUNDALK COMMERCIAL BLOCK
 TOWNSHIP OF SOUTHGATE
 TOWN OF DUNDALK, ON

File Name	Dwg No.
LANDSCAPE DETAILS	L-2